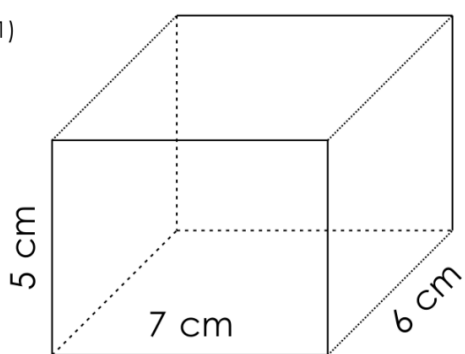


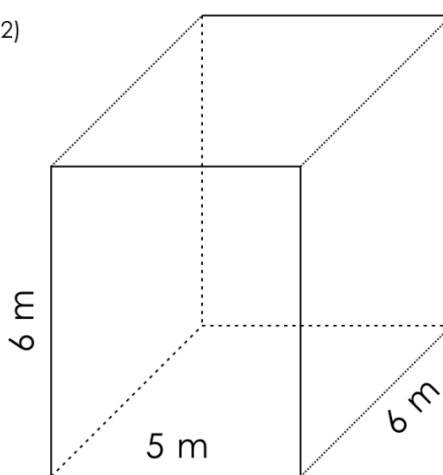
**Find the volume and surface area**

Find the volume and surface area.

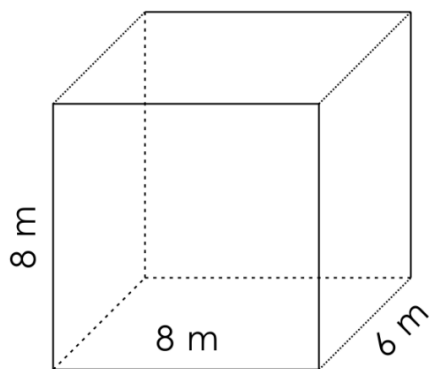
1)



2)



3)



4)

